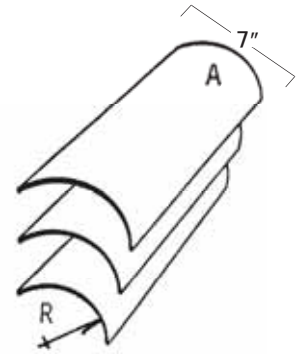


DYN-O-RAIL and Patented Vane Setter™



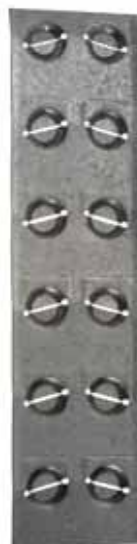
- Sturdy 23-Gauge Steel Embossed-For-Stiffness Design
- Use with Single or Hollow Vanes - Up to 16-Gauge Steel
- Relief Holes in Slots, Support Vanes During Assembly
- Bevel Edges Remain Straight for Better Contact
- Use Patented VANE SETTER Tool to Secure Vane to Rail



Part#	Product Description	Qty
308088	DYN-O-RAIL CML NOM 4" X 100' (DR-35)	100'/Case

Product Technical Data		
Single Vane	R=4.5"	115 mm
	A=7"	178 mm
Hollow Vane	A=8"	203 mm
	B=8"	203 mm
	H=0.5"	13 mm

DYN-O-RAIL JR.™ and Patented Vane Setter™



Part#	Product Description	Qty
308089	DYN-O-RAIL JR RSDL (2) 2 1/4" X 100' (JDR-225)	200'/Case

Product Technical Data		
Single Vane	R=2"	50 mm
	A=3.5"	89 mm
Hollow Vane	A=3.5"	89 mm
	B=3.75"	95 mm
	H=0.375"	9 mm

